

MEET CORA



CONNECTIVITY SOLVED

CORA is the next generation retrofit telemeter from Crane. As an upgraded hardware solution, CORA is designed and built with a number of high tech features that maximize efficiency while keeping your machines up and running at peak performance.

1

THE ANTENNA



Engineered by Crane, CORA's state-of-the-art, high-performance 4G LTE antenna **exceeds** carriers' performance specifications and performs **30% better than competitors** without any additional hardware.

3

POWERED BY BLUETOOTH



With Bluetooth Low Energy (BLE), driver and technician interactions with the machine are **streamlined through simplifi mobile**, while BLE enables PayRange acceptance on **every device** with **no additional hardware costs**.

2

IT'S FAST



CORA's enhanced processor and increased memory allows for quicker boot-up time, **50% faster activation**, and faster transaction processing while it's **magnetic mounting**, simplified cabling and cable-locking connectors **improve installation over competitors**.

4

SECURED BY CRANE



When your data and your customer's data is Secured by Crane, you have **peace of mind** knowing CORA's **embedded security features** are protecting sensitive information and data **at all times**.



ENJOY CORA'S EXTENSIVE BENEFITS, INCLUDING:

BEST-IN-CLASS ANTENNA

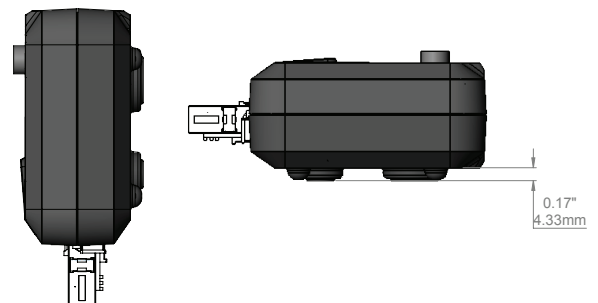
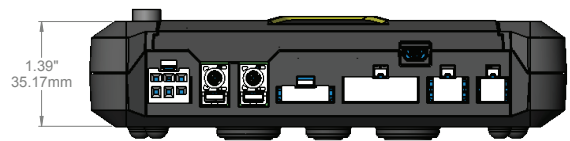
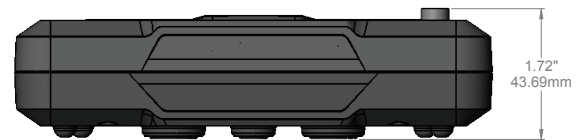
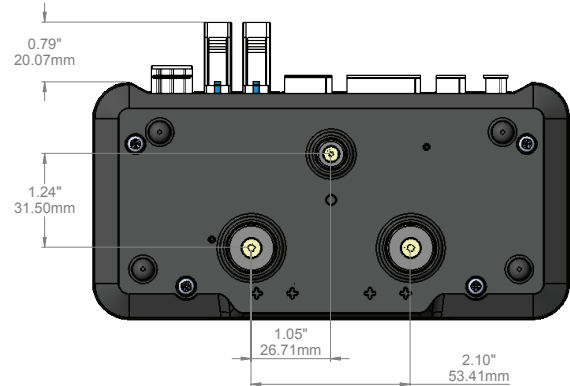
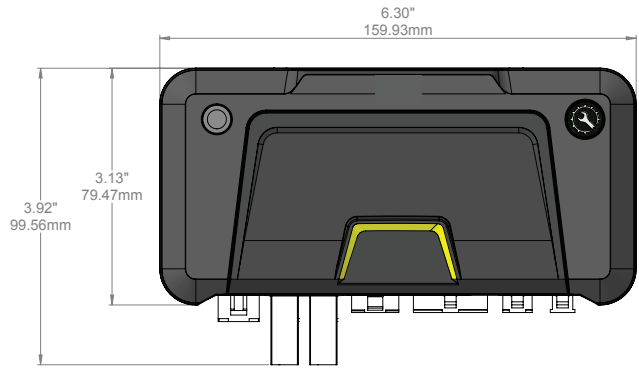
that performs 30% better than competition

BLUETOOTH CONNECTIVITY

that accepts PayRange mobile payment and integrates with simplifi mobile

QUICKER INSTALLATION

with unique locking connectors, stronger magnets, and faster boot up and activation



TECHNICAL SPECIFICATIONS

INTERFACES	HARDWARE
RS232 (Card Reader)	ARM Cortex M4 Processor
RS232 (DEX)	Security: Embedded secure element
CAN	Embedded Linux Operating System
MDB Master / Client	256MB DDR RAM
General Purpose	4GB Flash
1/4" RS232 Service Port	Power consumption: 2watts
USB OTG (Mini-B)	

WIRELESS COMMUNICATIONS	REGULATORY COMPLIANCE
Cellular: 4G LTE CAT1	ROHS
Primary and diversity antenna support; external mount	FCC
Internal replaceable SIM card	PTCRB
Bluetooth Low Energy (BLE)	ESD Protected

ENVIRONMENTAL	DIMENSIONS
Operating Temperature: -15 °C to +60 °C	6.25 L x 3 W x 1.75" H
Storage Temperature: -40 °C to +70 °C	Magnetic mounting
Operating Humidity: 5% to 95% (Non condensing)	
Storage Humidity: 5% to 95% (Non condensing)	USER INTERFACE
	Single button interface w/tri color LED